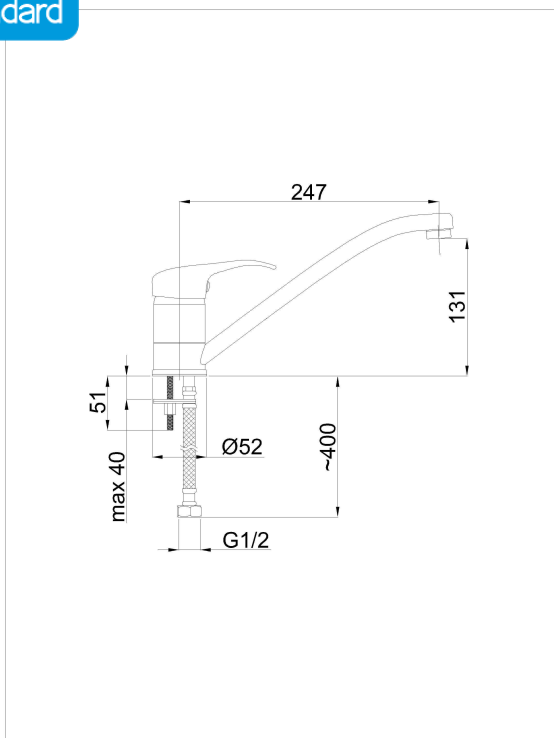


# Kitchen faucet P-20 STAR

Product information

RUBINETA  
Standard



## Description

100% hit is when everybody likes it. Faucets Prince are undisputed sales leaders in the STANDARD segment. It says it all!

- 5-years warranty
- After assembly all our faucets are being 100% tested
- Durable and glossy surface on all our faucets. We use more durable coating for shine and long-term use of faucets, which is more resistant to scratches, dents, limescale, rust.
- High-quality brass with lowered content of harmful impurities is one of the most important component materials.
- Faucets with the ANTI-NOISE system work silently and do not cause discomfort.
- Faucet is supplied with 40 mm ceramic cartridge, ensuring longlasting and flawless performance of the faucet.
- Durable aerator
- Faucet is complemented with 40 cm connection hoses.



## Specification

Code	P00001
Intended use	Kitchen faucet
EAN	4779028800386
Warranty	5
Series	Prince
Segment	Standard
Connection	1/2
Finish	Chrome plated
Debit l/m	12.7

## Components



618040



634005



636913

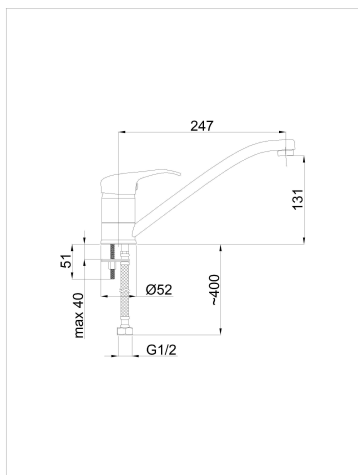
EAN: 4779028804469 EAN: 4779035270882 EAN: 4779028803936



636705

EAN: 4779028803912

## Scheme



## Package



Package quantity	12
Weight Brutto (kg)	1.04
Weight Netto (kg)	0.85567
1 package length (m)	0.064
1 packaging depth (m)	0.302
The primary package width (m)	0.126
2 package weight (kg)	0.52
2 packaging capacity	0.03326
2 Packaging depth (m)	0.27
2 packaging length (m)	0.385
2 packaging width (m)	0.315